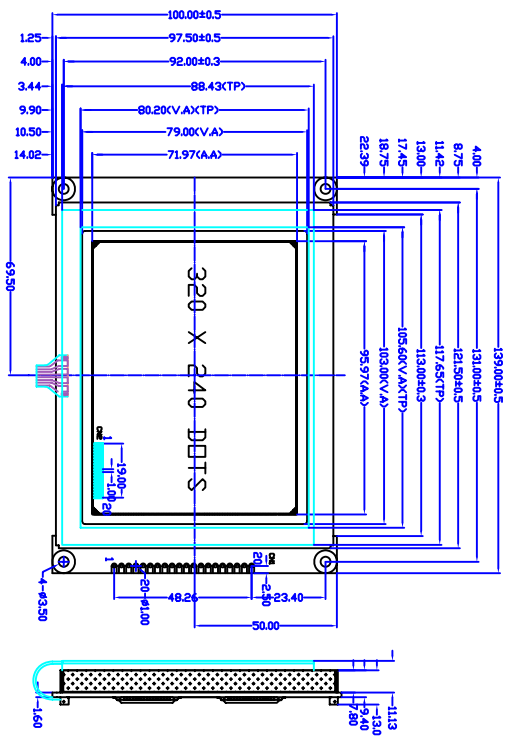
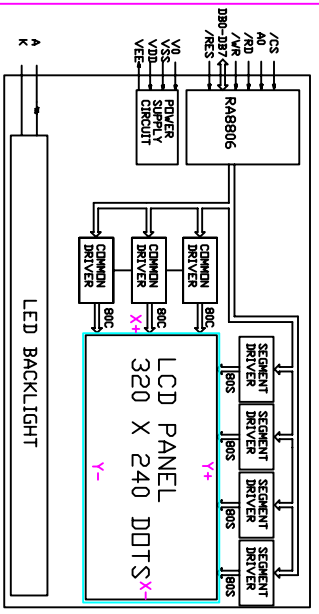


### Outline Dimension



REVISIONS			
NO.	DATE	BY	DESCRIPTION
1	18/07/20	ZOLEN	NEW RELEASE

### Block Diagram



### Feature

- BUILT IN CONTROLLER: RA8806
- POWER SUPPLY: 5.0V AND 3.0V AVAILABLE
- LED TYPE: BLUE STANNEGATIVE
- BACKLIGHT: SIDE LED BACKLIGHT
- COLOR OF BACKLIGHT: WHITE
- 1/240 DUTY CYCLE, 1/16BIAS
- VIEWING ANGLE: 6 O'CLOCK
- TEMPERATURE RANGE: EXTENDED(-20--70)
- WHT TOUCHPANEL

### Mechanical Data

ITEM	SPECIFICATION	UNIT
OVERALL SIZE	139.0V X 100.0H X 13.0T	MM
VIEWING AREA	103.0V X 79.0H	MM
DOT NUMBER	320 X 240	DOTS
DOT SIZE	0.27V X 0.27H	MM
DOT PITCH	0.30V X 0.30H	MM

### Absolute Maximum Rating

ITEM	SYMBOL	MIN	MAX	UNIT
POWER SUPPLY(VOLTAGE)	VDD-VSS	0	6.5	V
POWER SUPPLY(CD DRV)	VDD-V0	0	3.0	V
INPUT VOLTAGE	VI	VI	VDD	V

### Electrical Characteristics

ITEM	SYMBOL	MIN	TYP	MAX	UNIT
VOLTAGE FOR LOGIC(VDD-VSS)	4.75	5.0	5.25	V	
SUPPLY CURRENT	IDD	-	12.0	mA	
LCD OPERATING DC	VDD-V0	-	2.4	V	
LCD OPERATING AC	VDD-V0	-	2.3	V	
VOLTAGE	V0	-	2.2	V	
INPUT VOLTAGE	VIH	0.7VDD	-	V	
INPUT VOLTAGE	VIL	0	-	V	

ALL DIMENSIONS ARE IN MM. TOLERANCE IS +/-0.2 UNLESS OTHERWISE NOTED.

### CN2, CN3 Pin Assignment

NO.	SYMBOL	DESCRIPTION
1	VSS	GROUND
2	VDD	POWER SUPPLY FOR LOGIC AND LCD
3	V0	OPERATING VOLTAGE FOR LCD
4	/WR	WRITE SIGNAL
5	/RD	READ SIGNAL
6	/CE	CHIP SELECTION
7	A0	COMMAND/DATA SELECT
8	/RST	RESET SIGNAL (LOW EFFECTIVE)
9--16	DB0--DB7	DATA BUS
17	VEE	NEGATIVE VOLTAGE INPUT/OUTPUT
18	A	LED BACKLIGHT POWER SUPPLY(+)
19	INT	PEN INTERRUPT(TP)
20	BUSY	BUSY SIGNAL

JXD320240BF-1P 320 X 240 DOTS GRAPHIC LCM EXPERT IN LCD