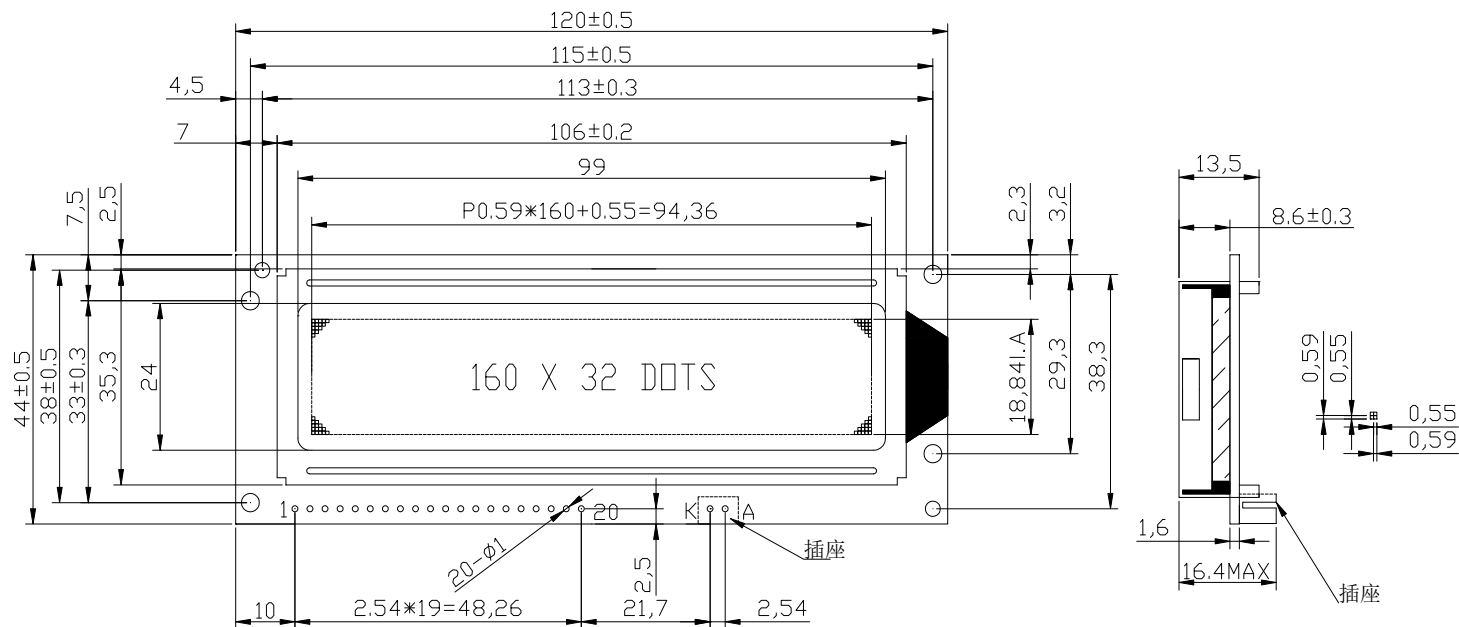


# JXD16032D-02

## ① PHYSICAL DIMENSION



## ② MECHANICAL SPECIFICATIONS

Item	Nominal Dimensions(mm)
Module Size(W×H×T)	120.0×44.0×13.5
Viewing Area(W×H)	99.0×24.0
Dot Pitch(W×H)	0.59×0.59
Dot Size(W×H)	0.55×0.55

## ④ FEATURE

LCD Type & Colour	STN:Yellow-Green,Blue,FSTN
View Angle	6 O'clock
Display Type	Positive Type,Negative Type
Control IC & Package	AT1521,COB
Operating Temperature	-20℃~70℃
Storage Temperature	-30℃~80℃

## ③ PIN CONNECTIONS

Pin	Symbol	Function
1	A0	H: Data; L: Instruction Code
2	CS2	Chip select 2
3	CS1	Chip select 1
4	RD	Read
5	WR	Write
6	VDD	Power supply for Logic(+5V)
7	VSS	Ground for Logic(0V)
8~15	DB0~DB7	Data Bus Line
16	RST	Reset Signal
17	V0	Power supply for LCD Driver
18	Vee	No connect
19	LEDA	Backlight Power(+5V)
20	LEDK	Backlight Power(GND)

## ⑤ ELECTRICAL CHARACTERISTICS (Supply current doesn't contain backlight)

Item	Symbol	Test Condition	Typ.	Unit
Operating Voltage	Vdd	Ta=25℃	5.0	V
Supply Current	Idd	Ta=25℃, Vdd=5.0V	1.7	mA